



GAI-TRONICS® CORPORATION
A HUBBELL COMPANY

Model XCP0030A Telco Interface Kit

Field Installation Kit Instructions

Confidentiality Notice

This manual is provided solely as an operational, installation, and maintenance guide and contains sensitive business and technical information that is confidential and proprietary to GAI-Tronics. GAI-Tronics retains all intellectual property and other rights in or to the information contained herein, and such information may only be used in connection with the operation of your GAI-Tronics product or system. This manual may not be disclosed in any form, in whole or in part, directly or indirectly, to any third party.

General Information

The Telco Interface Kit adapts the three DB25 rear panel connectors to a single 50-pin standard connector. The unit mounts on the rear panel of the ICP9000 Series Desktop Console, ICP9000 Navigator Series MCU, or the Supervisor option installed on the respective unit, and plugs into the three DB25 connectors, P40 (a) (b) (c).

The Model XCP0030A 25-Pair Telco Interface Kit includes the following components:

Qty	Description
1	Telco Interface Adapter
2	#6-32 × 1.625-inch Phillips screws

Installation

ICP9000 Series Desktop Console

1. Disconnect the power from the ICP9000 Series Desktop Console and remove all attached land-line and accessory cables from the rear of the unit.
2. Mount the Telco Interface to the rear panel of the console or the Supervisor panel. Refer to Figure 1 or Figure 2. Position the Telco Interface so that the three DB25 connector plugs line up with the DB25 connector receptacles on the rear panel.
3. Secure the Telco Interface with the supplied #6-32 screws shown in Figure 1 or Figure 2, tightening them until the Telco unit is snug against the rear panel or the Supervisor panel.

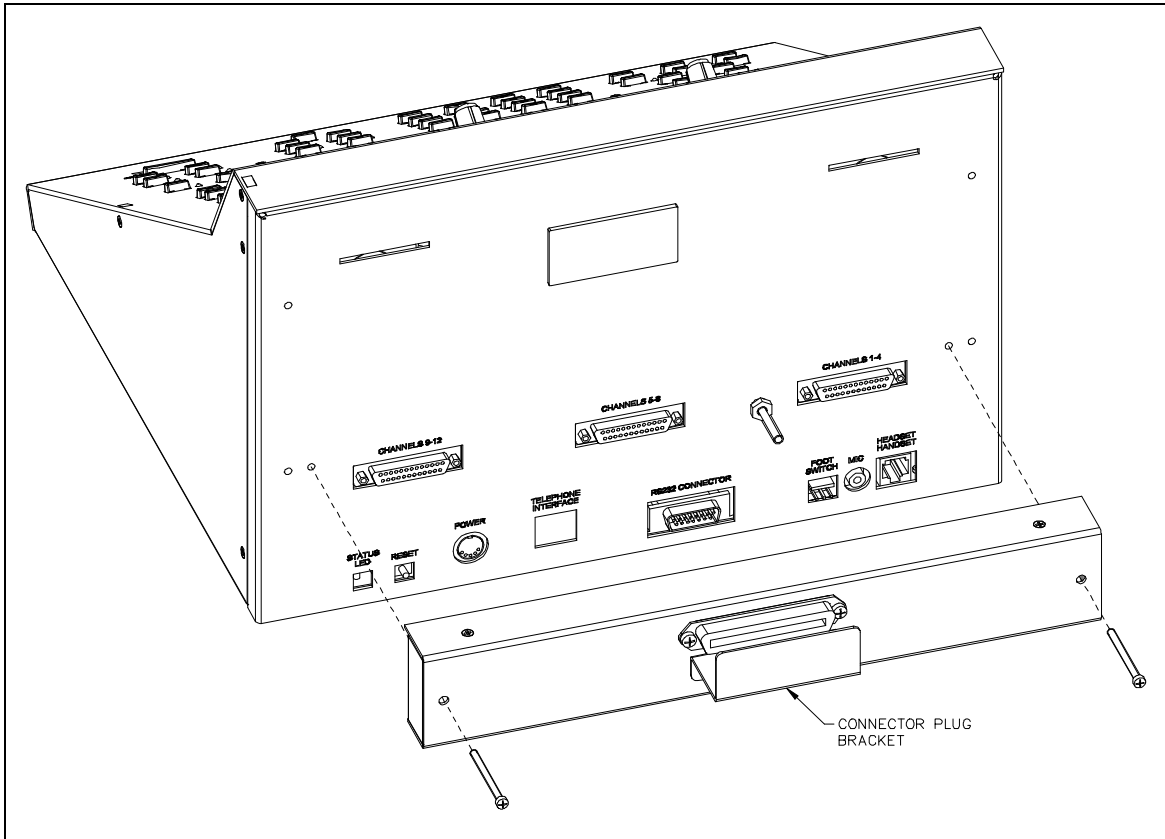


Figure 1.

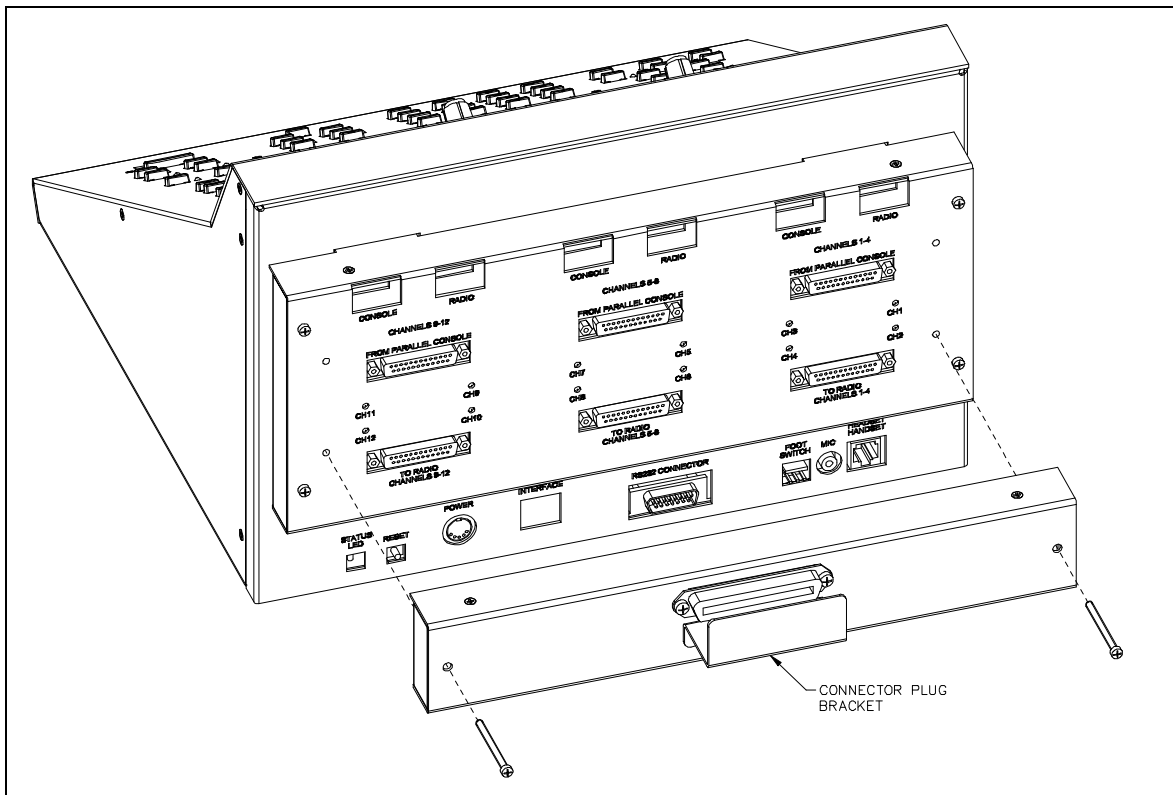


Figure 2.

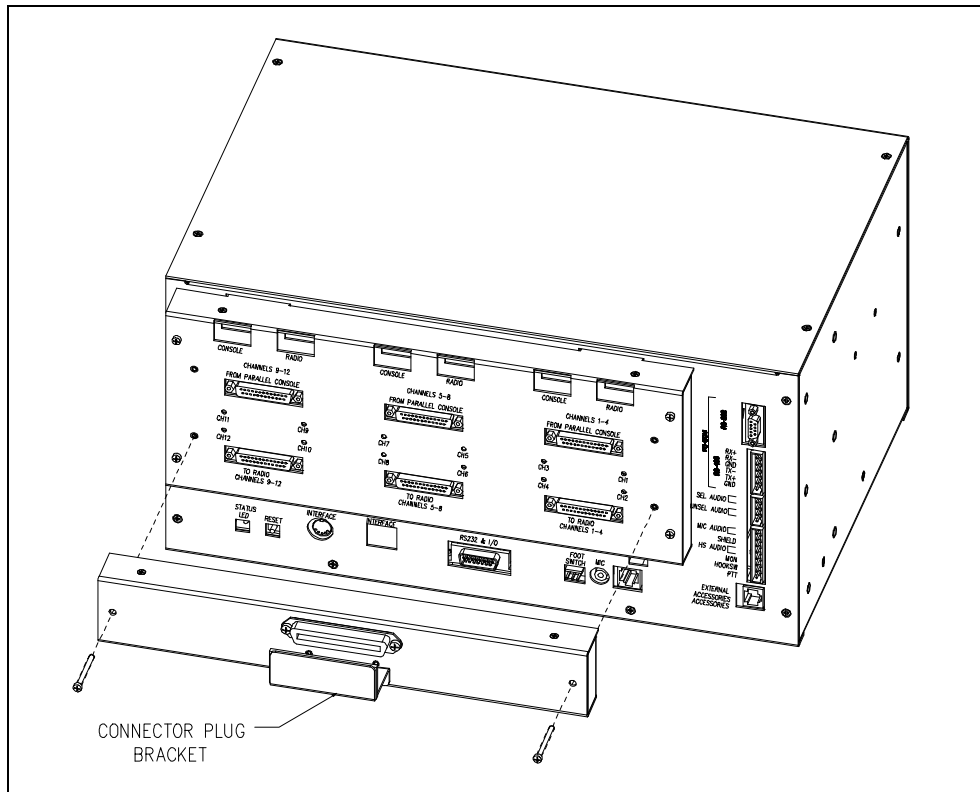


Figure 4.

Telco Interface Pin Connectors				
Pair # (Pin #)	Pin Function (Pin #) (for dc pos, neg)		Pair # (Pin #)	Pin Function (Pin #) (for dc pos, neg)
1 (1, 26)	TX 1 (14, 15)		13 (13, 38)	TX 7 (8, 9)
2 (2, 27)	RX 1 (1, 2)		14 (14, 39)	RX 7 (10, 11)
3 (3, 28)	TX 2 (3, 4)		15 (15, 40)	TX 8 (12, 13)
4 (4, 29)	RX 2 (5, 6)		16 (16, 41)	RX 8 (24, 25)
5 (5, 30)	TX 3 (8, 9)		17 (17, 42)	TX 9 (14, 15)
6 (6, 31)	RX 3 (10, 11)		18 (18, 43)	RX 9 (1, 2)
7 (7, 32)	TX 4 (12, 13)		19 (19, 44)	TX 10 (3, 4)
8 (8, 33)	RX 4 (24, 25)		20 (20, 45)	RX 10 (5, 6)
9 (9, 34)	TX 5 (14, 15)		21 (21, 46)	TX 11 (8, 9)
10 (10, 35)	RX 5 (1, 2)		22 (22, 47)	RX 11 (10, 11)
11 (11, 36)	TX 6 (3, 4)		23 (23, 48)	TX 12 (12, 13)
12 (12, 37)	RX 6 (5, 6)		24 (24, 49)	RX 12 (24, 25)